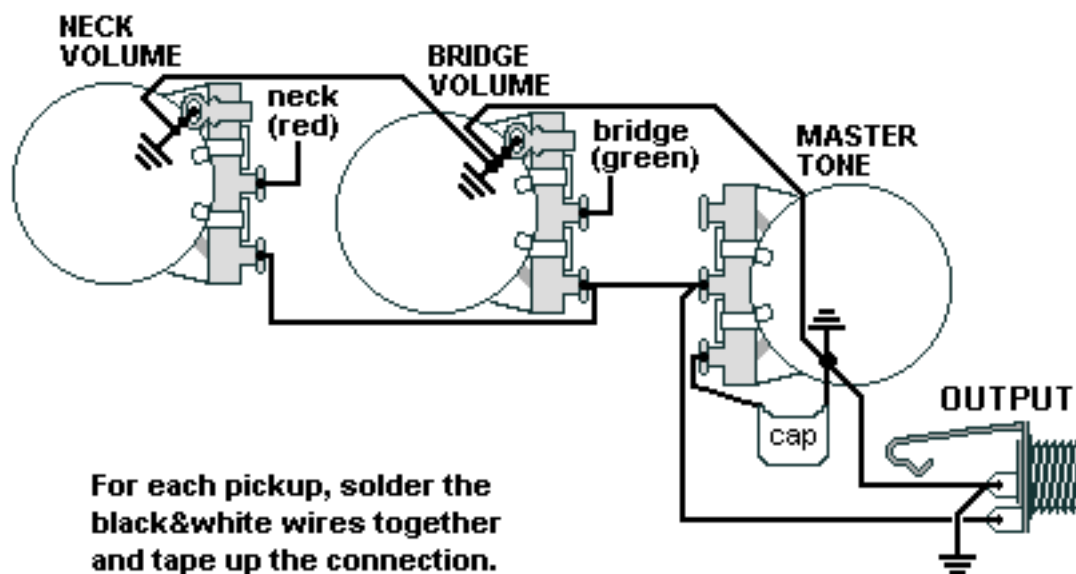


## DiMarzio, Inc.

1388 Richmond Terrace, PO Box 100387, Staten Island, NY 10310, Tel(718)981-9286, Fax(718)720-5296

### Will Power Neck/Model One & Will Power Middle/Model P



For each pickup, solder the black&white wires together and tape up the connection.

Ground the green & bare wires from the neck pickup and the red wire from the middle pickup.

**Note:** Tailpiece should be connected to common ground.  
All grounds  $\perp$  must be connected.

Copyright (C) 2003 DiMarzio, Inc. All rights reserved