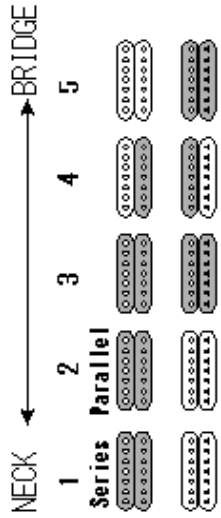
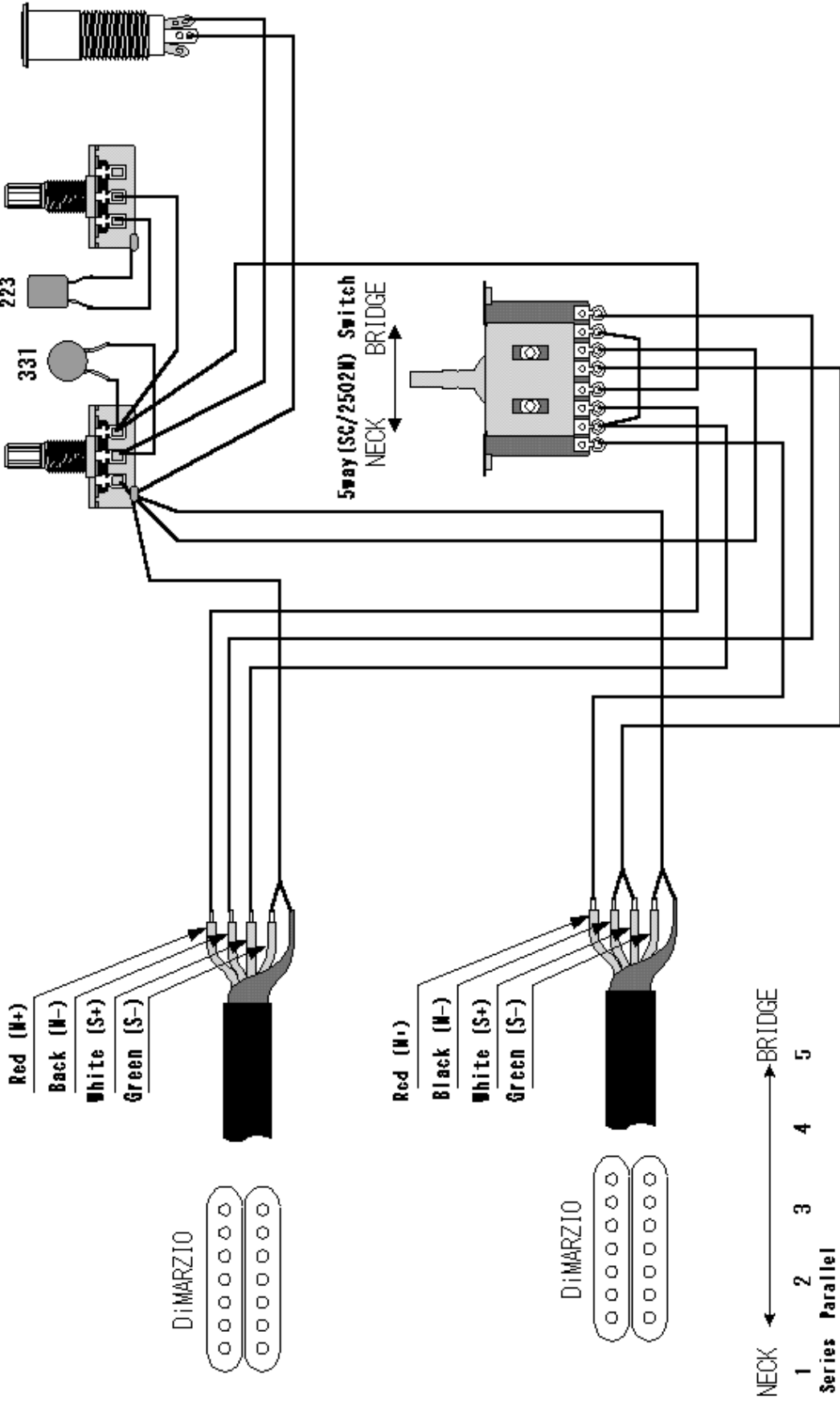


DIMARZIO HUMBUCKERS BOTH POSITIONS



Model Number	Switch Function	Drawing by	Date
RG7640, RG7420, 421	SC (H-H) - 1	M. M.	01/07/10

HOSHINO GAKKI CO., LTD.
 No.23-CHO NEI, SHUHO KU-C HO, HIGASHI-KU, MIOGOYA, JAPAN
 TEL:052-931-0066 FAX:052-931-4729