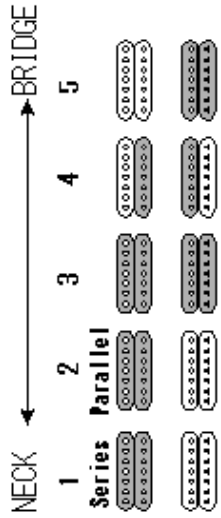
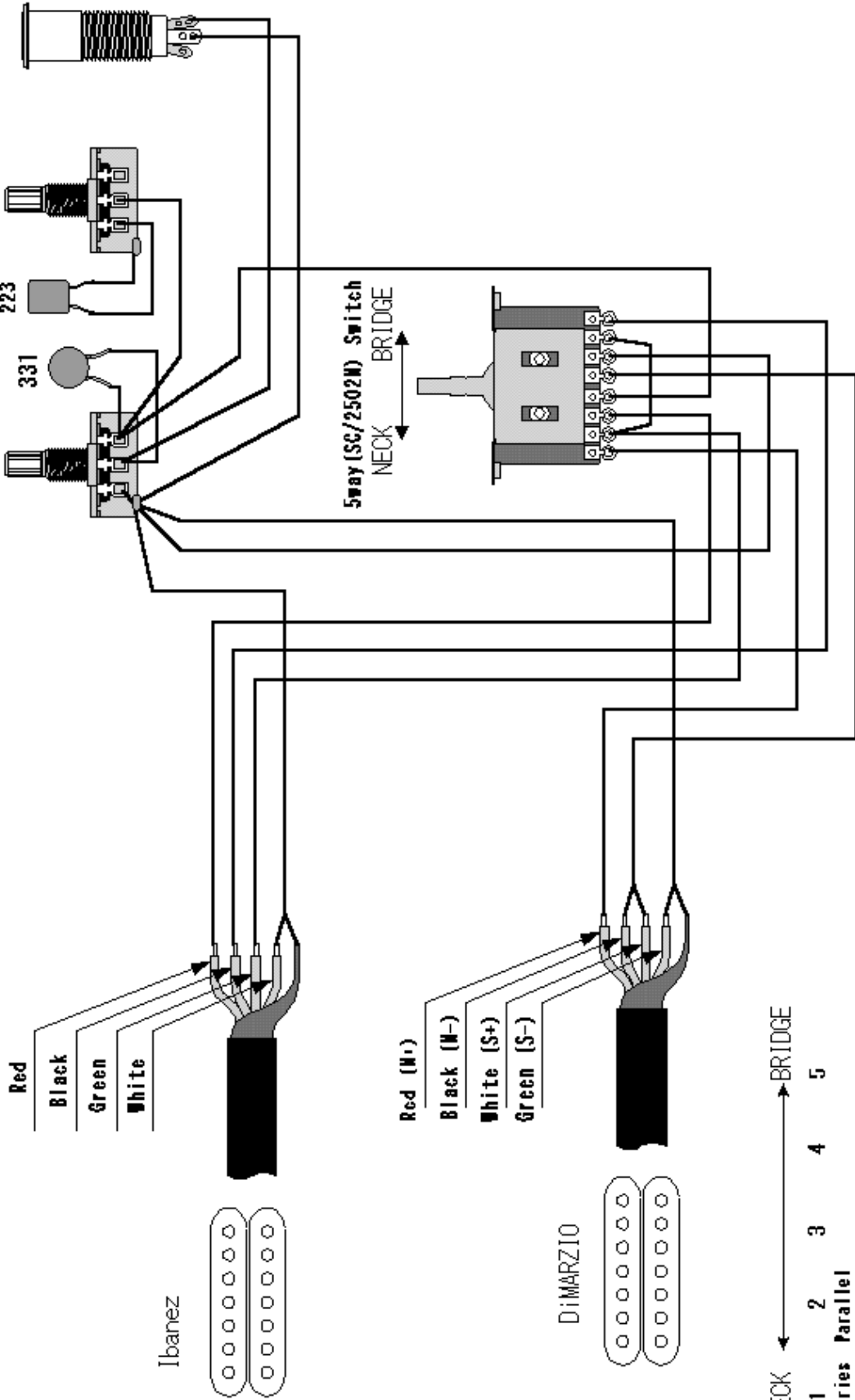


**DIMARZIO HUMBUCKER IN BRIDGE POSITION**



Model Number	Switch Function	Drawing by	Date
RG7640, RG7420, 421	SC (H-H) - 1	M. M.	01/07/10

**HOSHINO GAKKI CO., LTD.**  
 No.23-3-CHO NEI, SHUHO KU-C HO, HIGASHI-KU, MIOGOYA, JAPAN  
 TEL:052-931-0066 FAX:052-931-4729