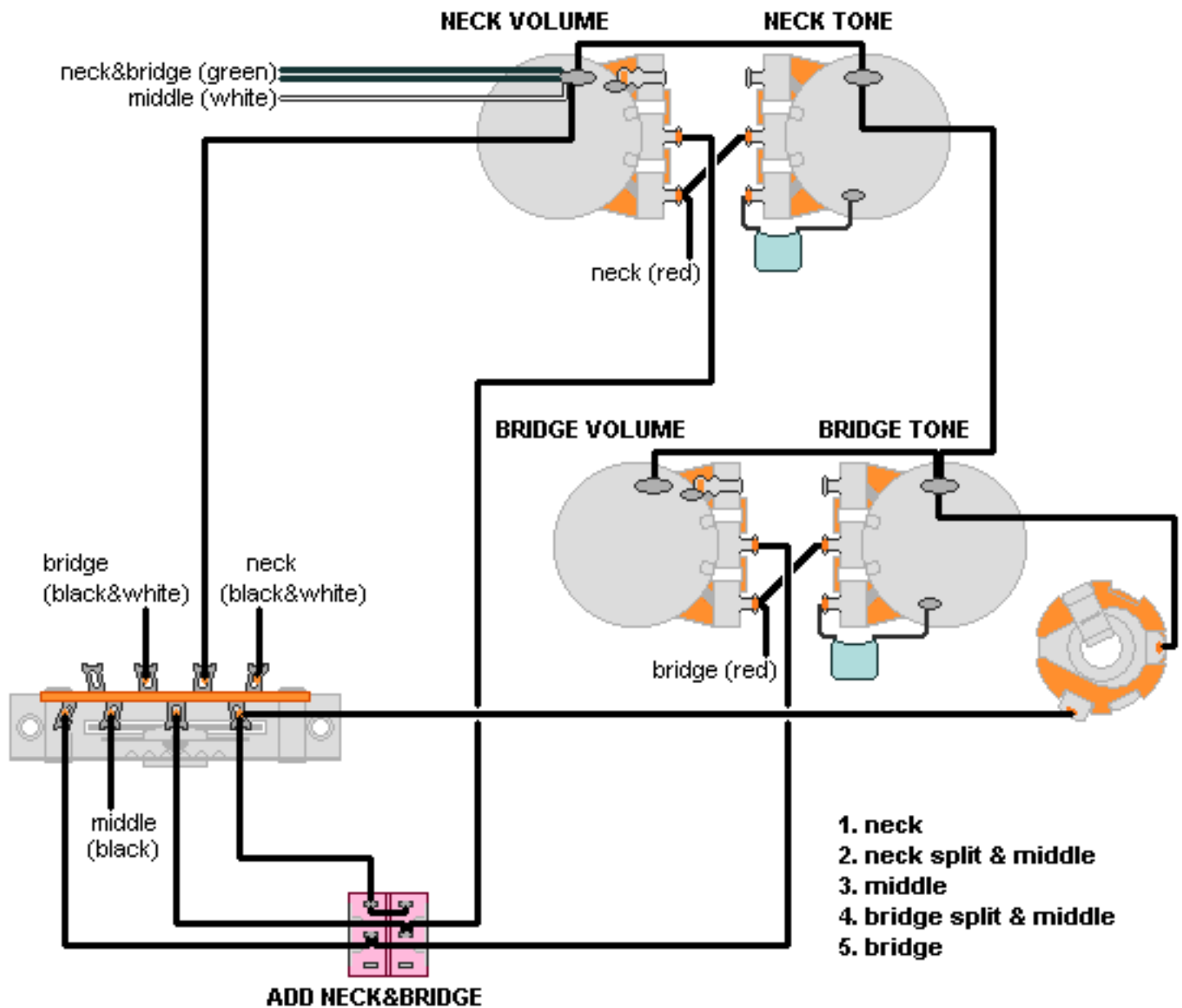


HUM, SINGLE, HUM, 2 VOL., 2 TONE, 5-WAY, DPDT (add neck/bridge)



Center pickup should be reverse wound (south up magnetically).

**Note: Tailpiece should be connected to common ground.
All grounds \perp must be connected.**