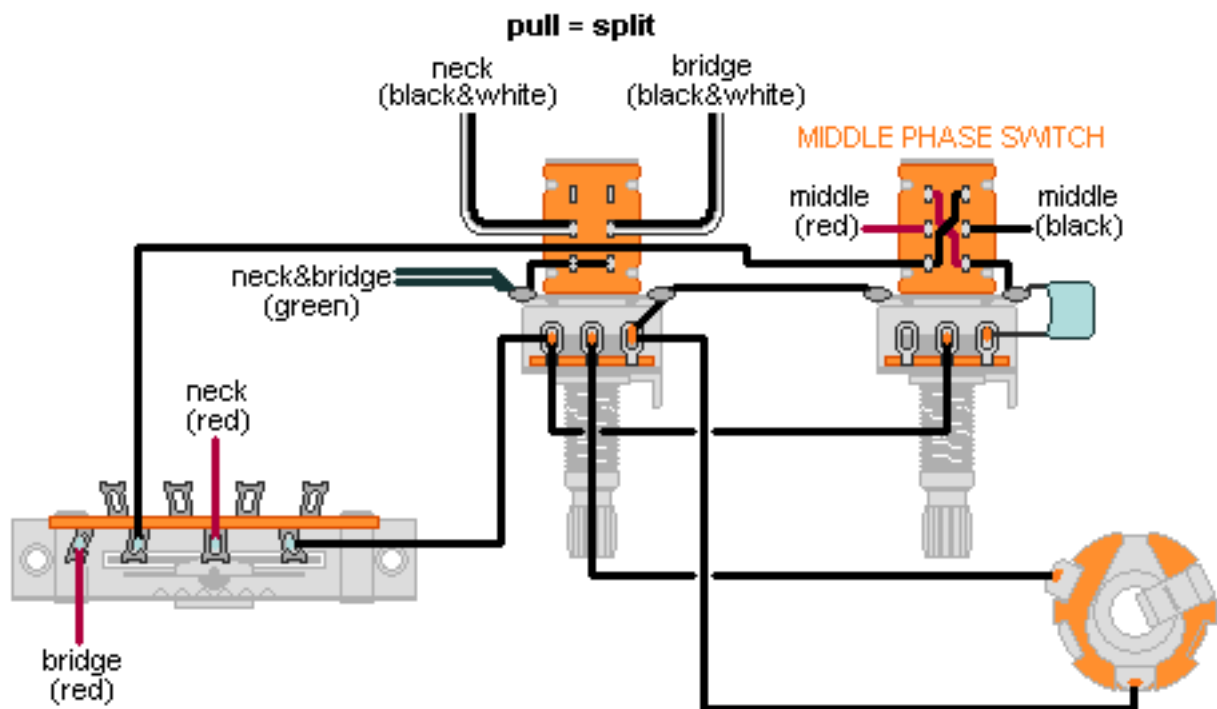


DiMarzio, Inc.

1388 Richmond Terrace, PO Box 100387, Staten Island, NY 10310, Tel(718)981-9286, Fax(718)720-5296

HUM./SINGLE/HUM., PUSH/PULL-SPLIT, PUSH/PULL PHASE SHIFT



1. neck
2. neck&middle parallel
3. middle
4. bridge&middle parallel
5. bridge

**Note: Tailpiece should be connected to common ground.
All grounds \perp must be connected.**

Copyright (C) 2003 DiMarzio, Inc. All rights reserved