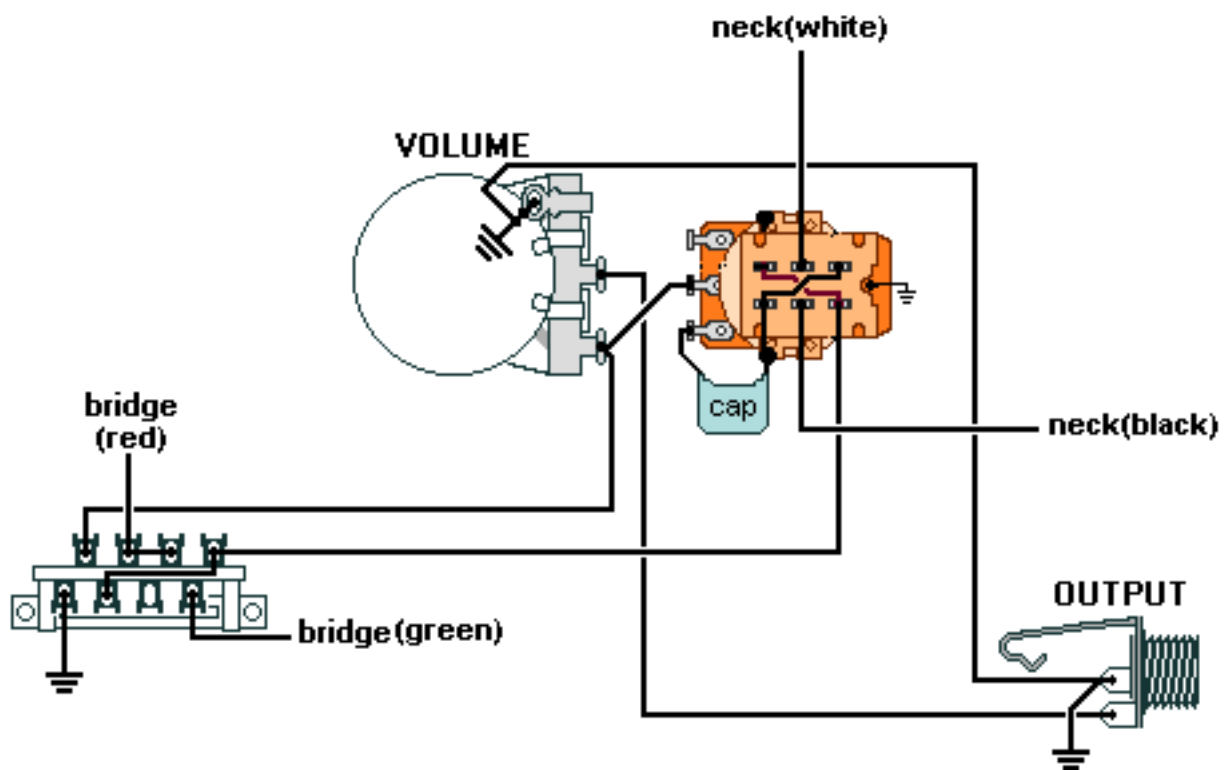


## DiMarzio, Inc.

1388 Richmond Terrace, PO Box 100387, Staten Island, NY 10310, Tel(718)981-9286, Fax(718)720-5296

### Twang King neck, Chopper T bridge, series middle position, push/pull phase switch



**Solder black & white wires from bridge pickup together and tape connection. Ground bare wire from bridge pickup and gray wire from neck pickup.**

**Note: Tailpiece must be connected to common ground.  
All grounds  $\perp$  must be connected.**

Copyright (C) 2003 DiMarzio, Inc. All rights reserved