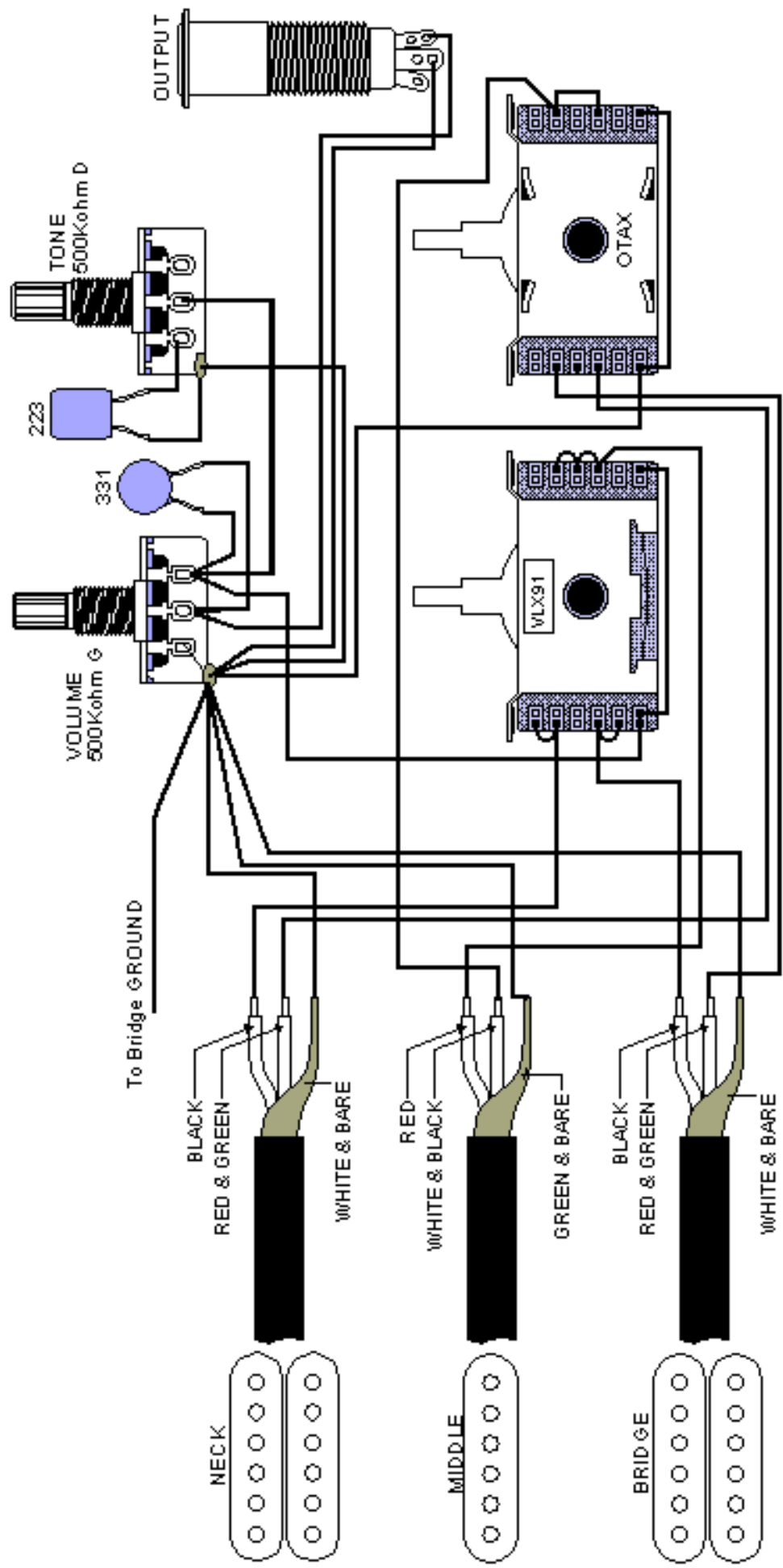


MODIFIED IBANEZ WIRING 2 DIMARZIO HUMBUCKERS & 1 V MIDDLE



MODEL NUMBER	MODEL NAME	APPROVED BY	CHECKED BY	DRAWING BY	SCALE
SP5-V/F				A. M.	
HOSHINO GAKKI CO., LTD. No. 22, 3-CHOME, SHUHO-KU-CHO, HIKASHI-KU, MAO YA, JAPAN TEL: 052-531-0034 FAX: 052-531-4729		DRAWING NUMBER		DATE	SIZE
		10/97021		'97/01/30	A4