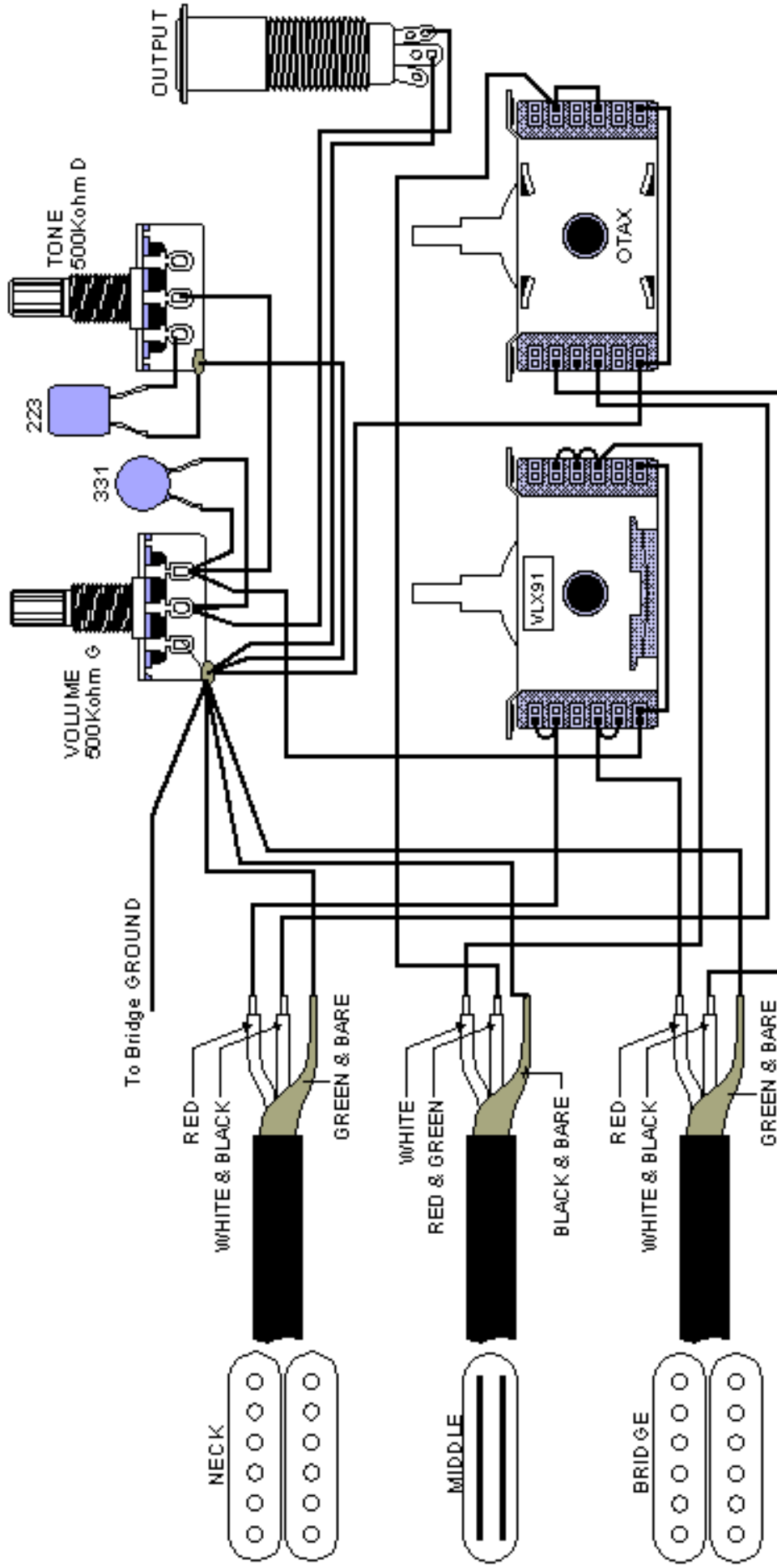


# MODIFIED IBANEZ WIRING 3 DIMARZIO HUMBUCKERS



MODEL NUMBER	MODEL NAME	APPROVED BY	CHECKED BY	DRAWING BY	SCALE
SP5-V/F				A. M.	
HOSHINO GAKKI CO., LTD. No. 22, 3-CHOME, SHUHO-KU-CHO, HIRASHI-KU, NAGOYA, JAPAN TEL: 052-531-0034 FAX: 052-531-4729		DRAWING NUMBER	DATE		SIZE
		10/97021	'97/01/30		A4