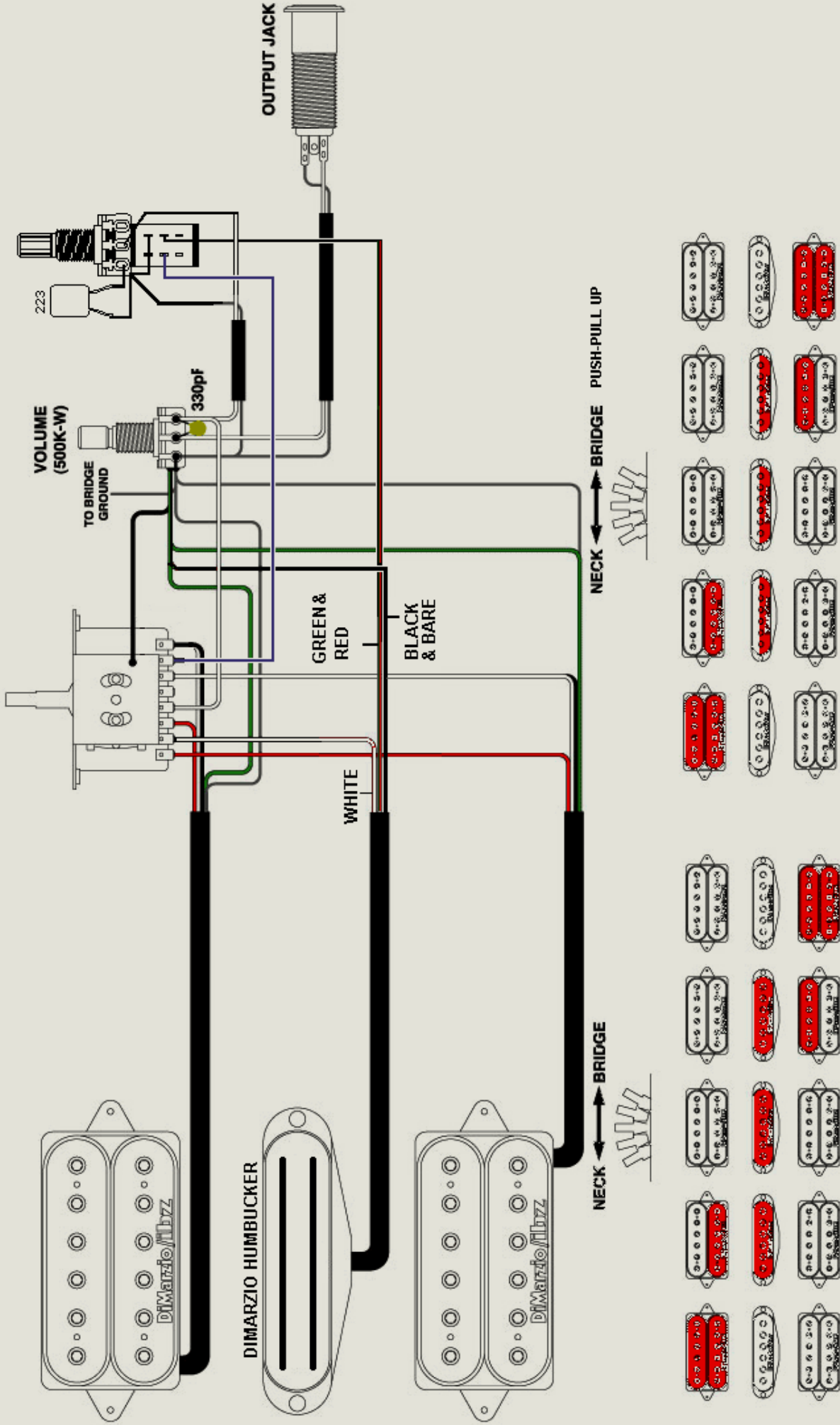


PUSH-PULL SPLITS ALL PICKUPS IN 2, 3 & 4 POSITIONS

NECK ← BRIDGE



TITLE

WIRING DIAGRAM

DRAWN  
KOICHI  
FUJIHARA

DATE  
APR. 20  
2004

MODEL

RG2550 / RG2570

*Prezige*  
**Ibanez**