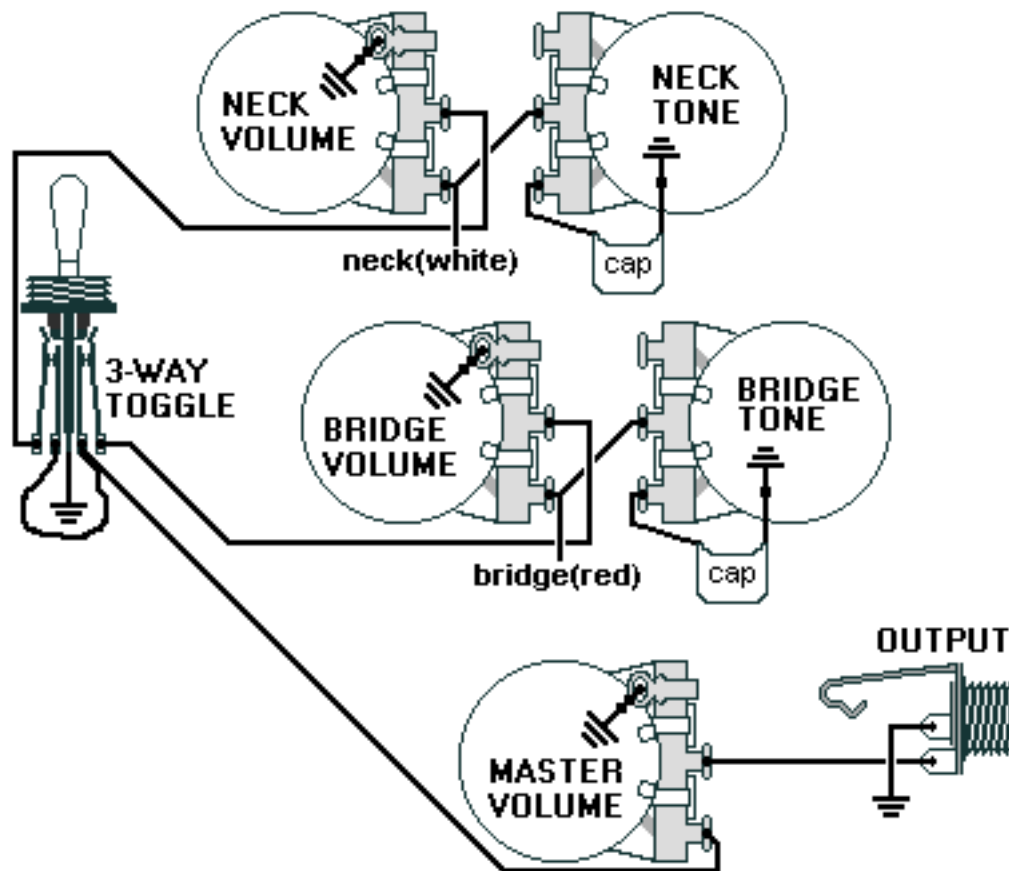


DiMarzio, Inc.

1388 Richmond Terrace, PO Box 100387, Staten Island, NY 10310, Tel(718)981-9286, Fax(718)720-5296



Solder neck (red&green) together and tape up the connection.
Solder bridge (black&white together and tape up the connection.

All other pickup wires not shown or mentioned go to ground.

Note: Tailpiece should be connected to common ground.

All grounds \perp must be connected.

Copyright (C) 2003 DiMarzio, Inc. All rights reserved