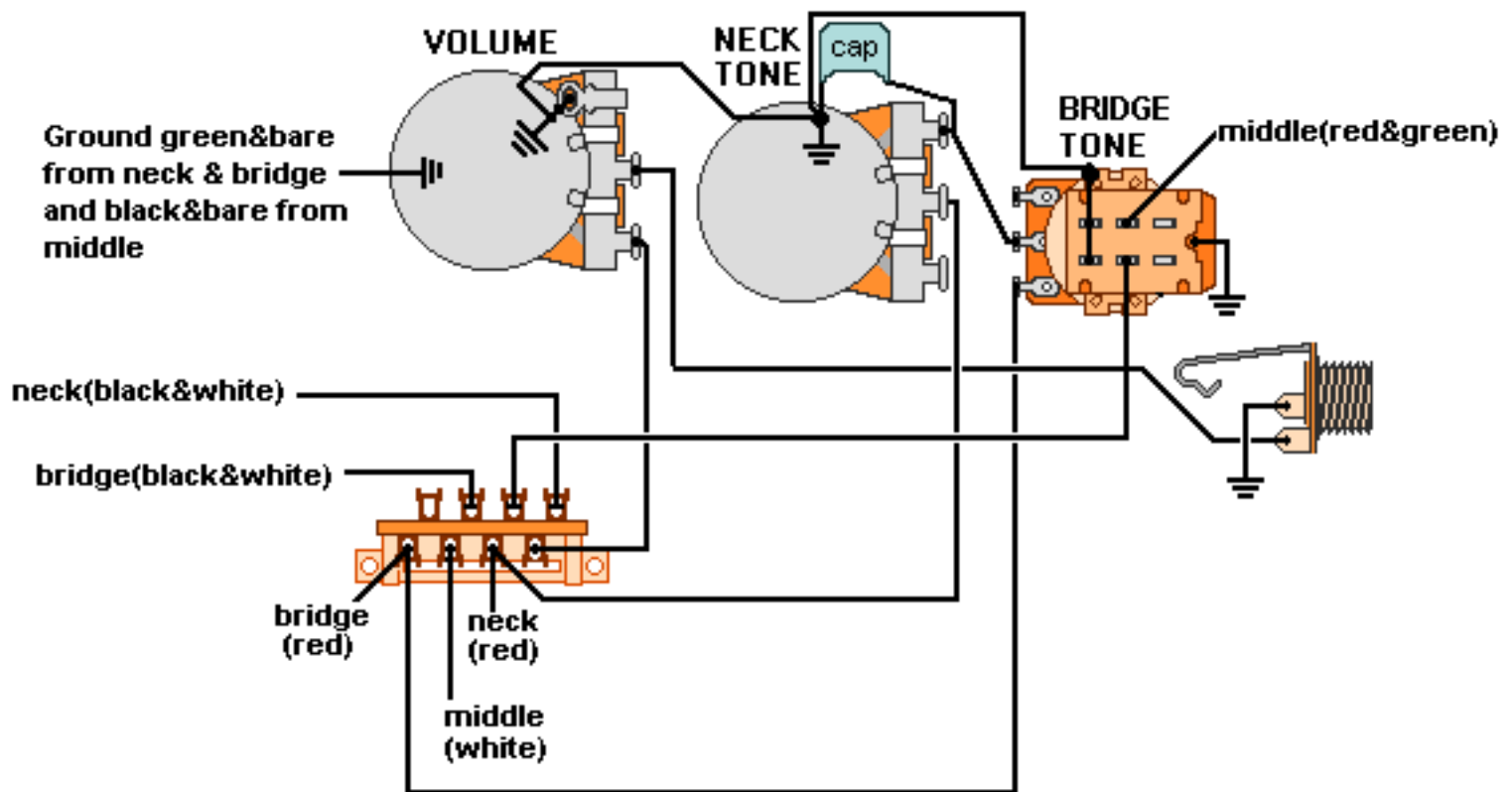


DiMarzio, Inc.

1388 Richmond Terrace, PO Box 100387, Staten Island, NY 10310, Tel(718)981-9286, Fax(718)720-5296

3 HUM., 5-WAY, 1 PUSH/PULL (SINGLE COIL SPLITTING)

Push-pull splits all pickups in positions
2, 3 and 4



All other pickup wires not shown or mentioned go to ground.

Note: Tailpiece should be connected to common ground.

All grounds \perp must be connected.

Copyright (C) 2003 DiMarzio, Inc. All rights reserved