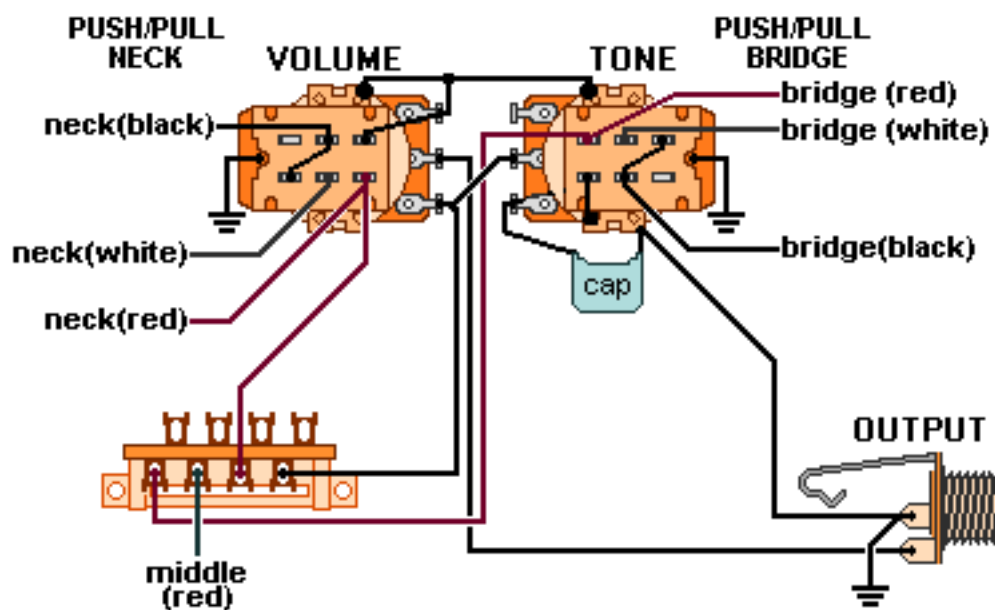


DiMarzio, Inc.

1388 Richmond Terrace, PO Box 100387, Staten Island, NY 10310, Tel(718)981-9286, Fax(718)720-5296

3 Humbuckers, 1 Volume, 1 Tone

(DUAL SOUND NECK/BRIDGE)



Middle pickup-solder the black & white wires together and tape up the connection, solder the green and bare wires to ground.

Neck and bridge pickups - solder the green and bare wires to ground.

**Note: Tailpiece should be connected to common ground.
All grounds \perp must be connected.**

Copyright (C) 2003 DiMarzio, Inc. All rights reserved