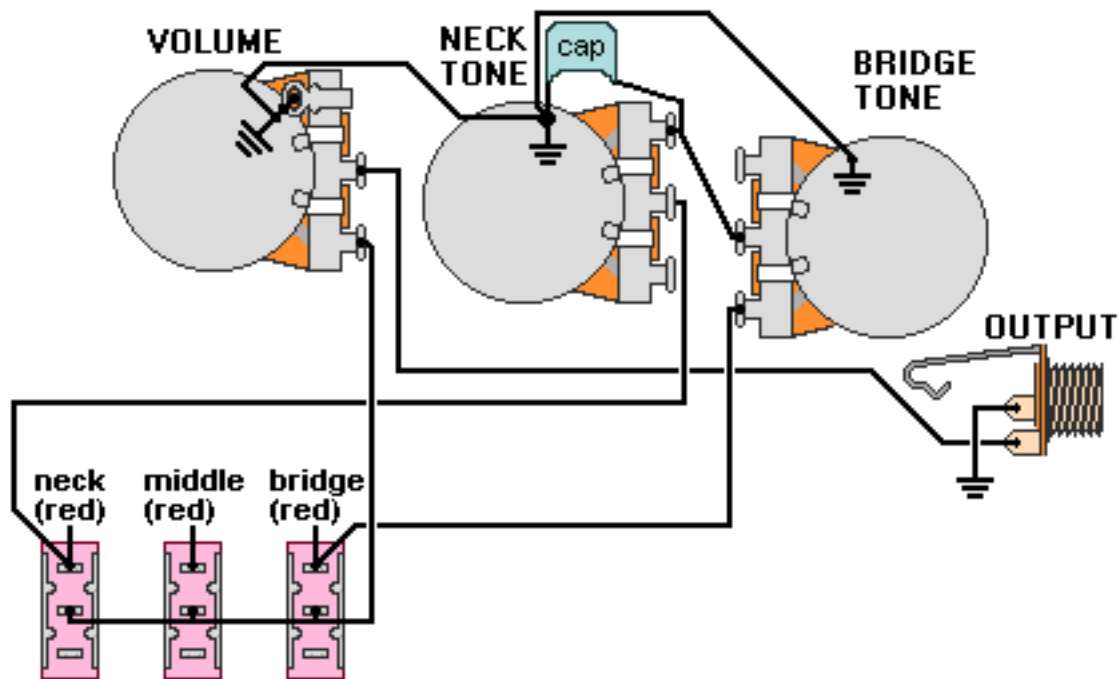


DiMarzio, Inc.

1388 Richmond Terrace, PO Box 100387, Staten Island, NY 10310, Tel(718)981-9286, Fax(718)720-5296

3 HUM, 3 SPDT, 1 VOL., 2 TONE



For each pickup, solder the black&white wire together and tape up each connection. The green and bare wire from each pickup is ground.

Note: Tailpiece should be connected to common ground.
All grounds \perp must be connected.

Copyright (C) 2003 DiMarzio, Inc. All rights reserved