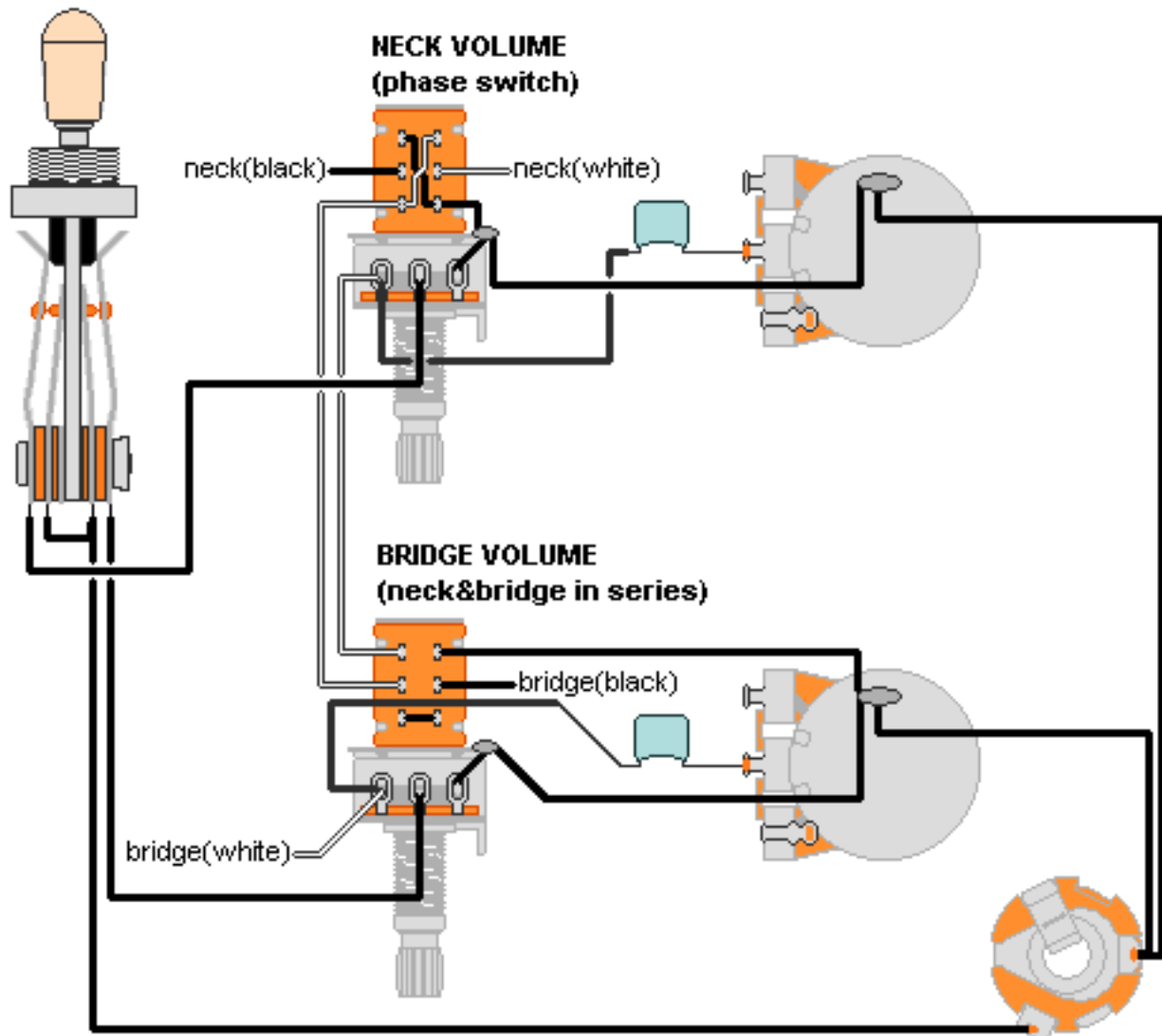


**DiMarzio, Inc.**

1388 Richmond Terrace, PO Box 100387, Staten Island, NY 10310, Tel(718)981-9286, Fax(718)720-5296

**2 SINGLES, NECK PUSH/PULL VOL. (pull=out of phase)  
BRIDGE PUSH/PULL VOL.(pull=neck/bridge in series)**



When Bridge push/pull is in series mode, neck position on 3-way toggle will be off.

**Note: Tailpiece should be connected to common ground.  
All grounds  $\perp$  must be connected.**

Copyright (C) 2003 DiMarzio, Inc. All rights reserved