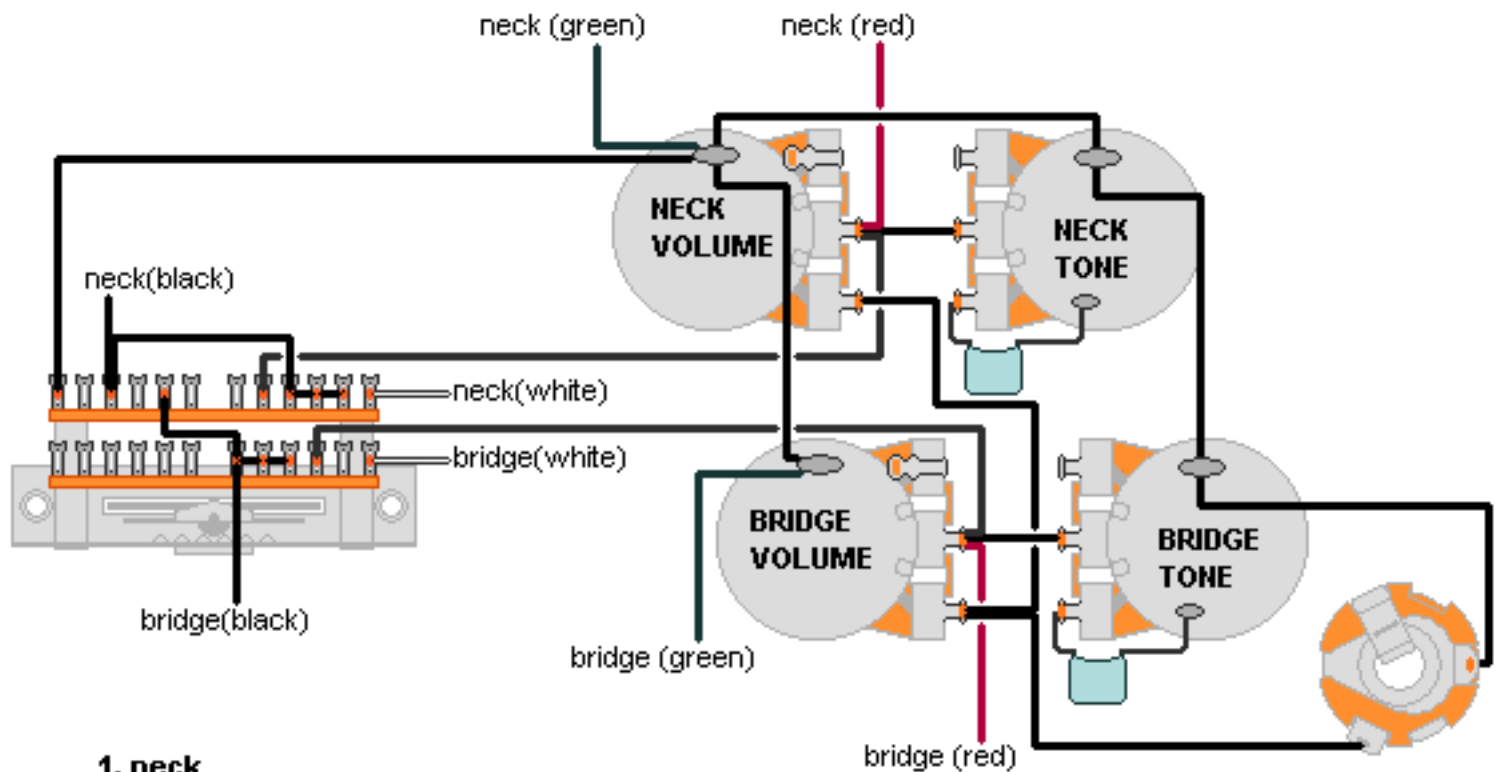


DiMarzio, Inc.

1388 Richmond Terrace, PO Box 100387, Staten Island, NY 10310, Tel(718)981-9286, Fax(718)720-5296

2 HUM., 2 VOL., 2 TONE, EP1112



1. neck
2. neck(series)/bridge(parallel)
3. neck and bridge
4. bridge(series)/neck(parallel)
5. bridge

**Note: Tailpiece should be connected to common ground.
All grounds \perp must be connected.**

Copyright (C) 2003 DiMarzio, Inc. All rights reserved