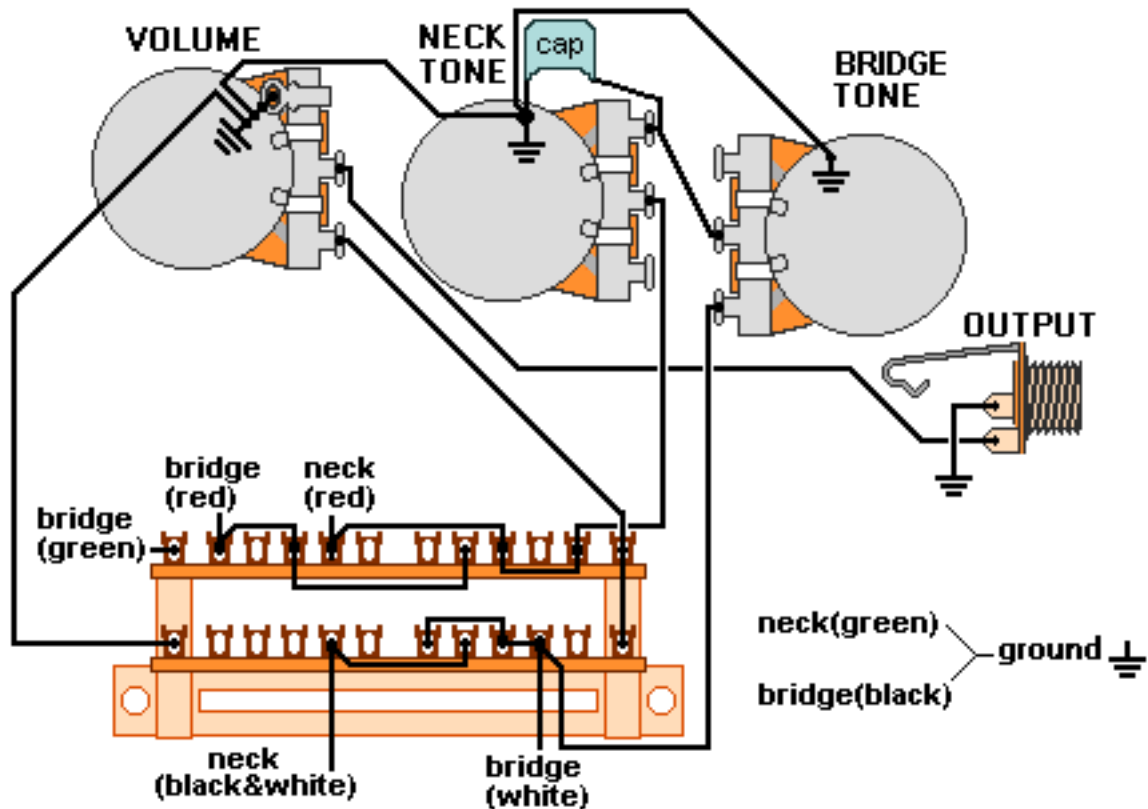


**DiMarzio, Inc.**

1388 Richmond Terrace, PO Box 100387, Staten Island, NY 10310, Tel(718)981-9286, Fax(718)720-5296

## EP1112, 2 HUMBUCKERS, 1 VOL, 2 TONES



1. neck
2. outside coils series
3. neck&bridge
4. inside coils parallel (no tone control)
5. bridge

Both pickups should be placed with their cables exits toward the controls.

**Note:** Tailpiece should be connected to common ground.  
All grounds  $\perp$  must be connected.

Copyright (C) 2003 DiMarzio, Inc. All rights reserved