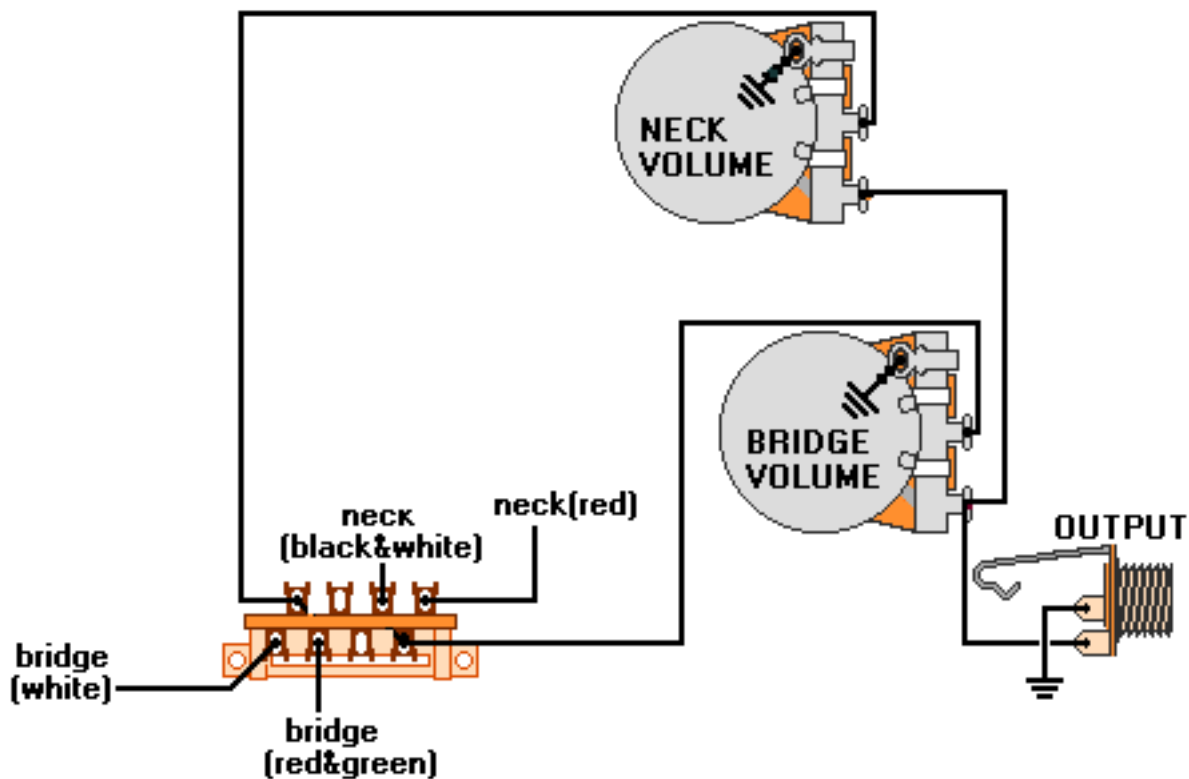


## DiMarzio, Inc.

1388 Richmond Terrace, PO Box 100387, Staten Island, NY 10310, Tel(718)981-9286, Fax(718)720-5296



Bare wire from both pickups go to ground.

The pickups should be placed with their cables toward the controls in order to have the inner coils on in the center position.

**All other pickup wires not shown or mentioned go to ground.**

**Note: Tailpiece should be connected to common ground.**

**All grounds  $\perp$  must be connected.**

Copyright (C) 2003 DiMarzio, Inc. All rights reserved