

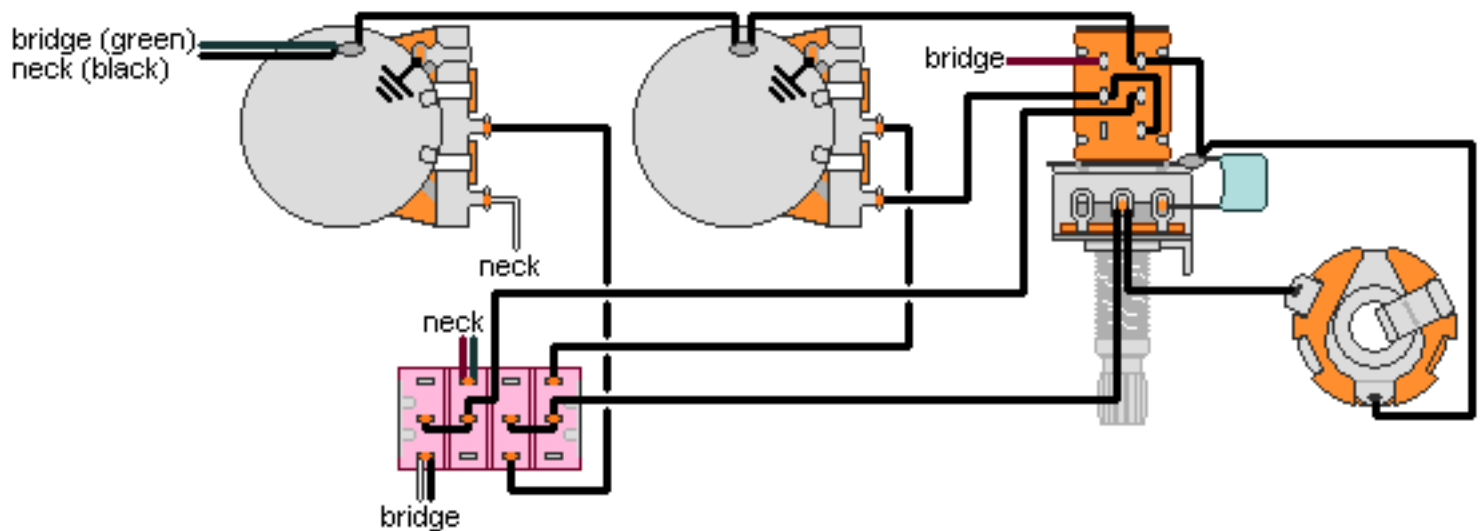
**DiMarzio, Inc.**

1388 Richmond Terrace, PO Box 100387, Staten Island, NY 10310, Tel(718)981-9286, Fax(718)720-5296

## 2 HUM., WIRING/ COIL SPLIT CENTER POSITION

Bare wire from both pickups go to ground.

The pickups should be placed with their cables toward the controls in order to have the inner coils on in the center position.



### push mode

1. neck
2. neck&bridge split (inner coils)
3. bridge

### pull mode

1. neck
2. neck&bridge split (outer coils)
3. neck split (outer coil)

All other pickup wires not shown or mentioned go to ground.

Note: Tailpiece should be connected to common ground.

All grounds  $\perp$  must be connected.

Copyright (C) 2003 DiMarzio, Inc. All rights reserved