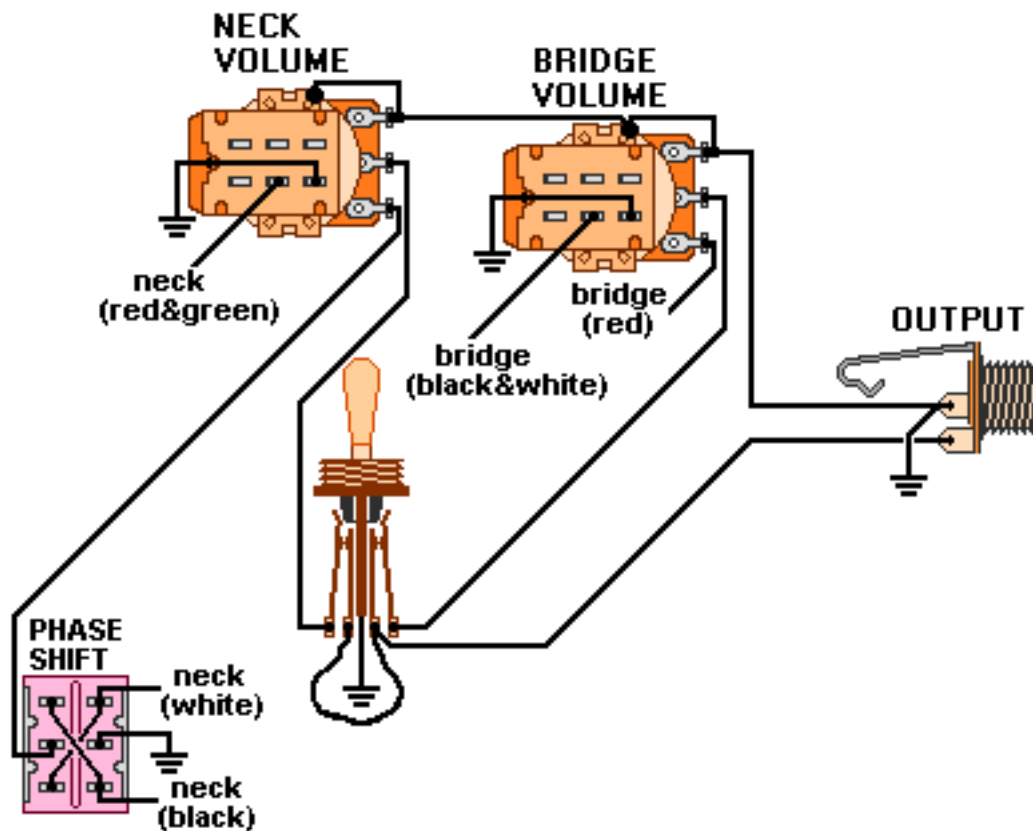


**DiMarzio, Inc.**

1388 Richmond Terrace, PO Box 100387, Staten Island, NY 10310, Tel(718)981-9286, Fax(718)720-5296

## 2 HUMBUCKER, 3 WAY, 2 P-P(split) VOL., PHASE SWITCH



**All other pickup wires not shown or mentioned go to ground.**

**Note: Tailpiece should be connected to common ground.**

**All grounds  $\perp$  must be connected.**

Copyright (C) 2003 DiMarzio, Inc. All rights reserved