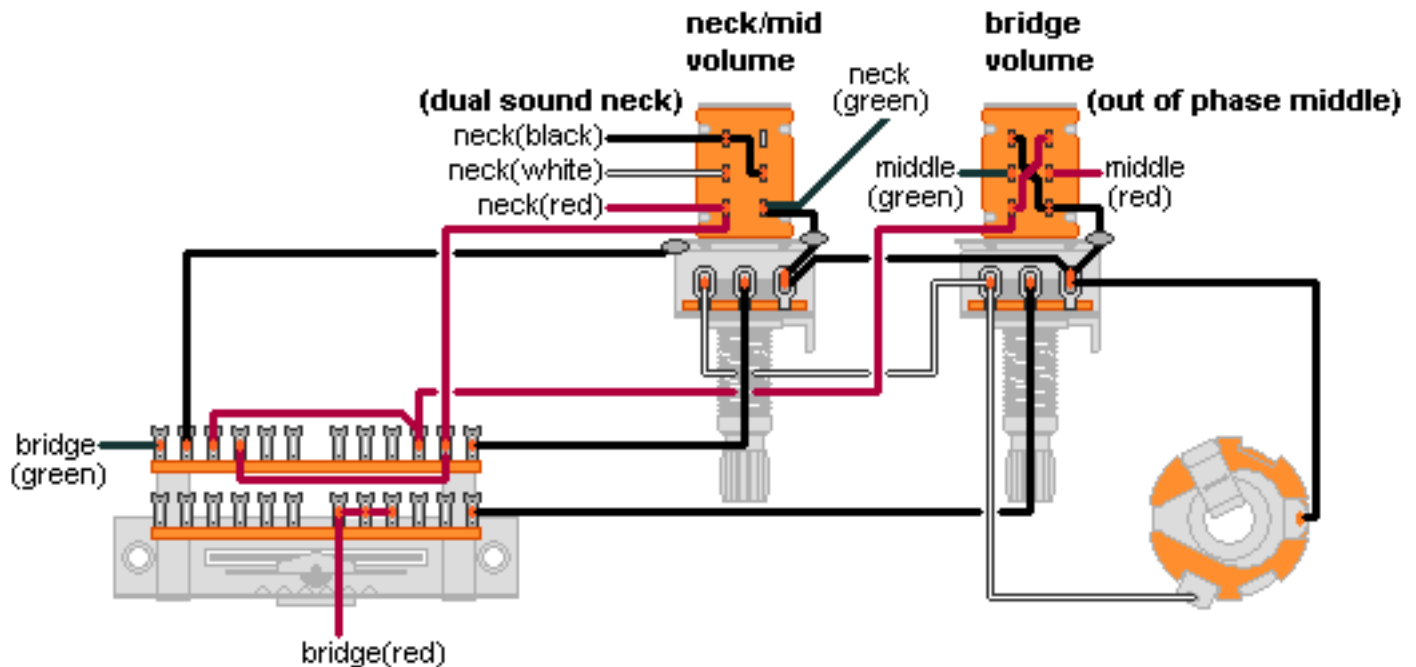


DiMarzio, Inc.

1388 Richmond Terrace, PO Box 100387, Staten Island, NY 10310, Tel(718)981-9286, Fax(718)720-5296

2 HUMBUCKER, 1 VIRTUAL VINTAGE, 2 VOLUMES



For bridge & middle, solder the black and white wires together and tape up each connection.

1. neck series
2. middle series
3. neck/bridge series
4. middle/bridge series
5. bridge series

**Note: Tailpiece should be connected to common ground.
All grounds \perp must be connected.**

Copyright (C) 2003 DiMarzio, Inc. All rights reserved