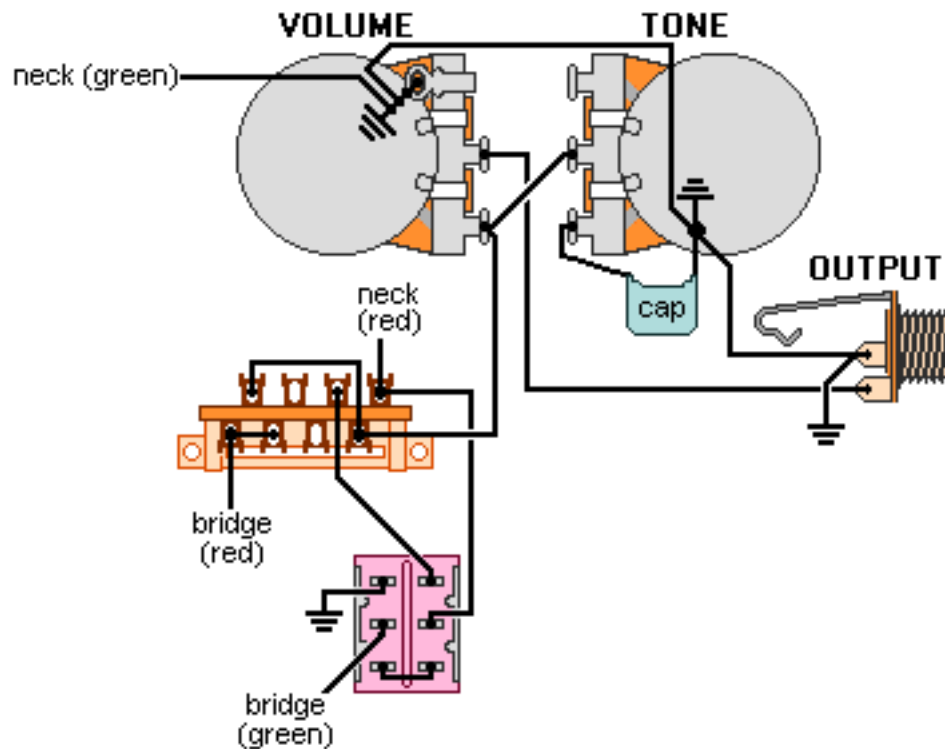


DiMarzio, Inc.

1388 Richmond Terrace, PO Box 100387, Staten Island, NY 10310, Tel(718)981-9286, Fax(718)720-5296

3 WAY, 2 HUM, 1 VOL., 1 TONE, DPDT series/parallel



switch down

1. neck
2. bridge&neck in parallel
3. bridge

switch up

1. neck
2. bridge&neck in series
3. bridge&neck in series

For each pickup, solder the black&white wires together and tape up this connection.

**Note: Tailpiece should be connected to common ground.
All grounds \perp must be connected.**

Copyright (C) 2003 DiMarzio, Inc. All rights reserved