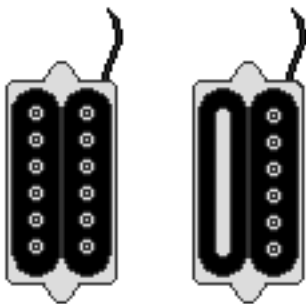
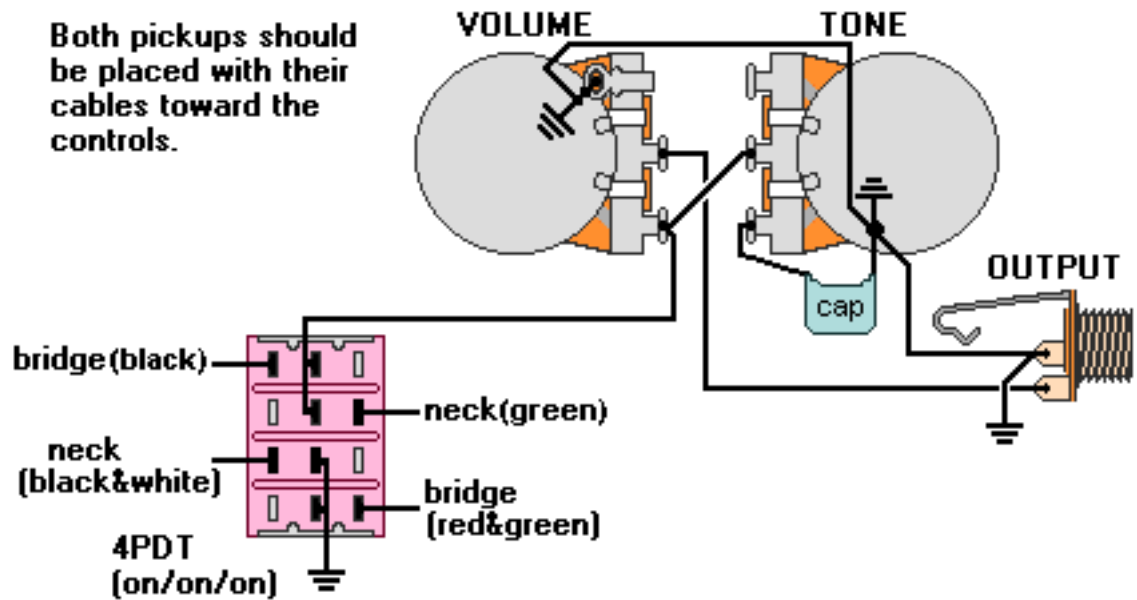


**DiMarzio, Inc.**

1388 Richmond Terrace, PO Box 100387, Staten Island, NY 10310, Tel(718)981-9286, Fax(718)720-5296

## LiquiFire & Crunch Lab wiring

Both pickups should be placed with their cables toward the controls.



All other pickup wires not shown or mentioned go to ground.

Note: Tailpiece should be connected to common ground.

All grounds  $\perp$  must be connected.

Copyright (C) 2003 DiMarzio, Inc. All rights reserved