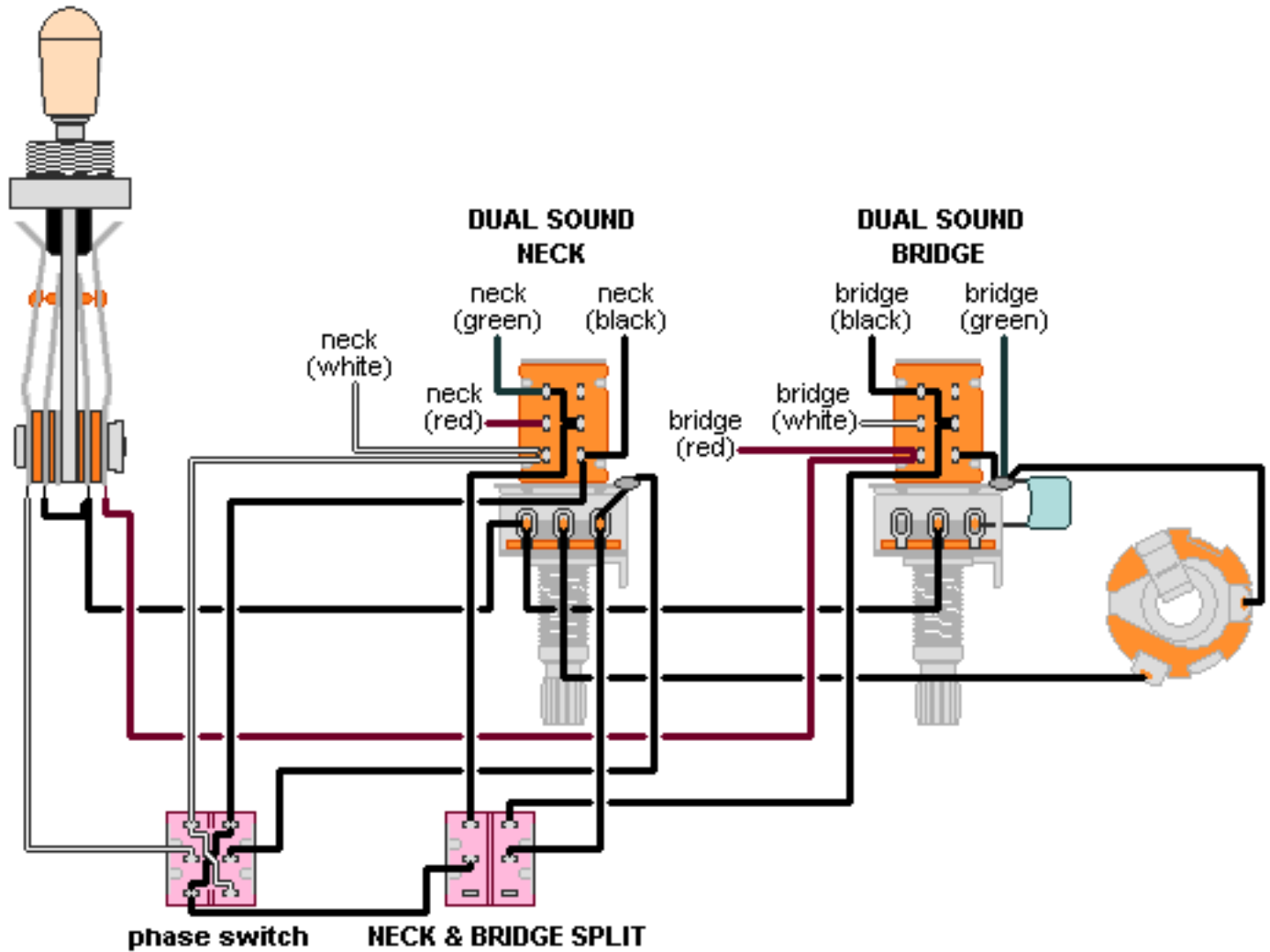


DiMarzio, Inc.

1388 Richmond Terrace, PO Box 100387, Staten Island, NY 10310, Tel(718)981-9286, Fax(718)720-5296

2HUM., 3-WAY, 2 PUSH/PULL (dual sound), 1DPDT (phase), 1DPDT (split)



**Note: Tailpiece should be connected to common ground.
All grounds \perp must be connected.**

Copyright (C) 2003 DiMarzio, Inc. All rights reserved