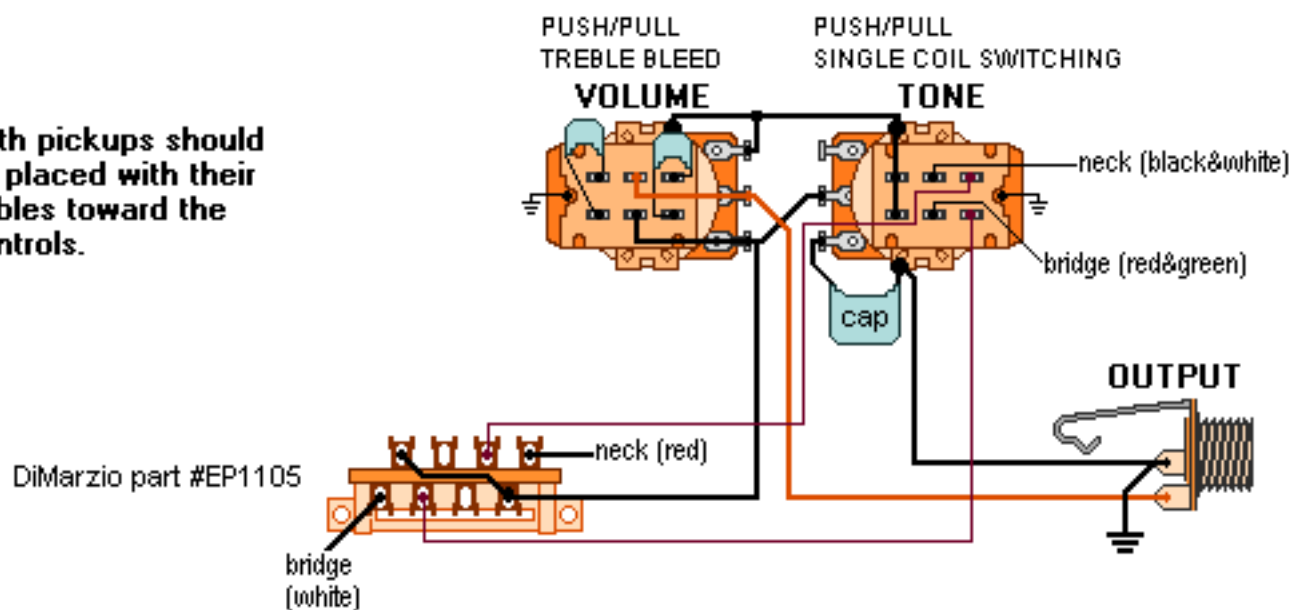


DiMarzio, Inc.

1388 Richmond Terrace, PO Box 100387, Staten Island, NY 10310, Tel(718)981-9286, Fax(718)720-5296

TWO HUMBUCKER (split center position)

Both pickups should be placed with their cables toward the controls.



(All other pickup wires not shown should go to ground.)

All other pickup wires not shown or mentioned go to ground.

Note: Tailpiece should be connected to common ground.

All grounds \perp must be connected.

Copyright (C) 2003 DiMarzio, Inc. All rights reserved