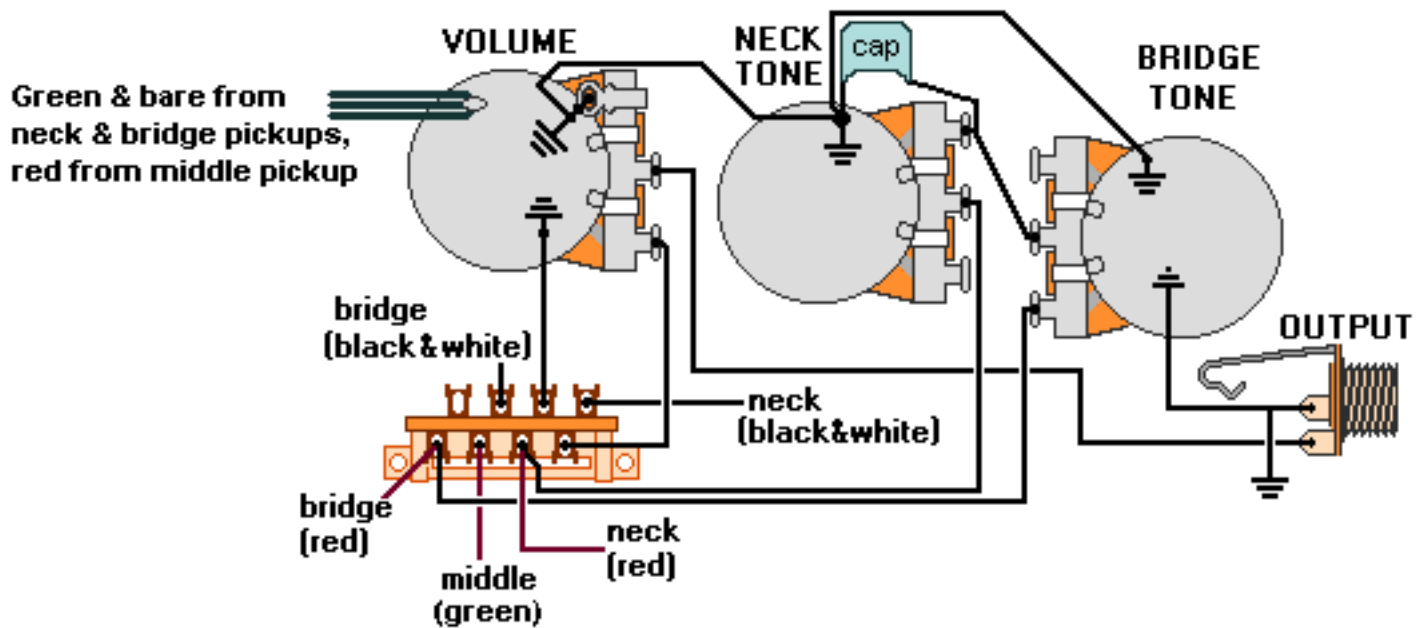


DiMarzio, Inc.

1388 Richmond Terrace, PO Box 100387, Staten Island, NY 10310, Tel(718)981-9286, Fax(718)720-5296

(SPLIT NECK AND BRIDGE IN 2 &4)



1. neck
2. neck split and middle
3. middle
4. bridge split and middle
5. bridge

**Note: Tailpiece should be connected to common ground.
All grounds \perp must be connected.**

Copyright (C) 2003 DiMarzio, Inc. All rights reserved